

VDP – CF3070

**Installation will not be scheduled until form is returned
to Margaret Dellacamera via Fax # (914) 921-0995 or
email: margaret@mitsubishiimaging.com**

Dealer Name: _____
Dealer Contact: _____
Phone Number: _____
Customer Name: _____
Installation Address: _____

Customer Phone Number: _____
Customer Contact & e-mail: _____
Pre-Press Contact: _____
Pressroom Contact: _____
Requested Installation Date: _____

(SCHEDULE DATE WILL BE CONFIRMED BASED ON AVAILABILITY)

File Workflow

The VDP comes with an integrated TIFF Catcher. The tiff catcher will only accept a 1 bit tiff file. Your front end work flow needs to be able to supply a 1 bit tiff to the VDP, if your front end system can only supply a PS or PDF input file you will need to purchase the optional SDPRip or equivalent.

Options

What options have been ordered for the platesetter? None _____

2nd Bacher Punch _____ Komori Punch _____

Trapping _____ Proofing Plug-In _____ SDP TIFF RIP* _____

*SDP TIFF RIP comes with Smart Tools and 2 clients

List any other options:

Prepress

PREPRESS FRONTEND WORKSTATIONS

1. How many of each? MAC _____ PC _____ Other _____
If other is selected, please list type, and programs used. Please list versions of PC and MAC operating systems.

2. Is there a file, network or domain server? YES _____ NO _____
If yes, please list type.

WINDOWS _____ MAC _____ UNIX _____ DOMAIN _____

3. Network Protocol TCP/IP _____ Novell IPX _____

The Machine computer must have a static IP address. Please supply IP information for machine computer.

IP Address _____:_____:_____:_____

Subnet mask _____:_____:_____:_____

Default Gateway _____:_____:_____:_____

DNS Server _____:_____:_____:_____

4. Network Cable: The VDP Controller/Tiff Catcher comes with an RJ 45 connector only.

5. There must be a network data connection within 10 feet of the RIP computer.

Note: The network cable is not provided. Cat 5E recommended

6. There must be a Network Administrator available for networking assistance during installation.

Applications

7. What are your primary applications used for output (e.g., CS Suite's, Quark, etc.)

1. _____
2. _____
3. _____

8. Does customer have imposition software, if so, please list name of imposition software.

9. Does customer have trapping software, if so, please list name of trapping software.

10. Does the customer have any CTP experience? YES _____ NO _____

11. Will press assistance be necessary? YES _____ NO _____

12. Type of press using plates from VDP - 3070.

WEB _____ Sheet fed _____ Other _____

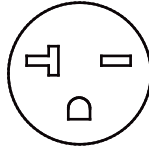
Please list presses on site and dampener type

Please list type of fountain solution currently used.

VDP - CF3070 Electrical Requirements

220 VAC 20 amps, 50/60 Hz, 3 wire, single phase, dedicated line for platesetter.

*****Please note: The voltage must be above 200 VAC and below 240 VAC. Voltage must also be balanced, less than 5% difference between phases. If voltage does not meet these requirements, a Buck/Boost transformer must be installed prior to installation. The VDP – CF3070 does not come with a power cord. Customer must furnish outlet and plug and power cord. Recommended outlet is a NEMA 6-20R, but you may use a twist lock plug.



NEMA 6-20R

ALL ELECTRICAL REQUIREMENTS MUST BE COMPLETED BEFORE INSTALLATION WILL BE STARTED.

Please sign below stating that all requirements will be finished before installation:

Customer Name: _____
(Please Print)

Title: _____
(Please Print)

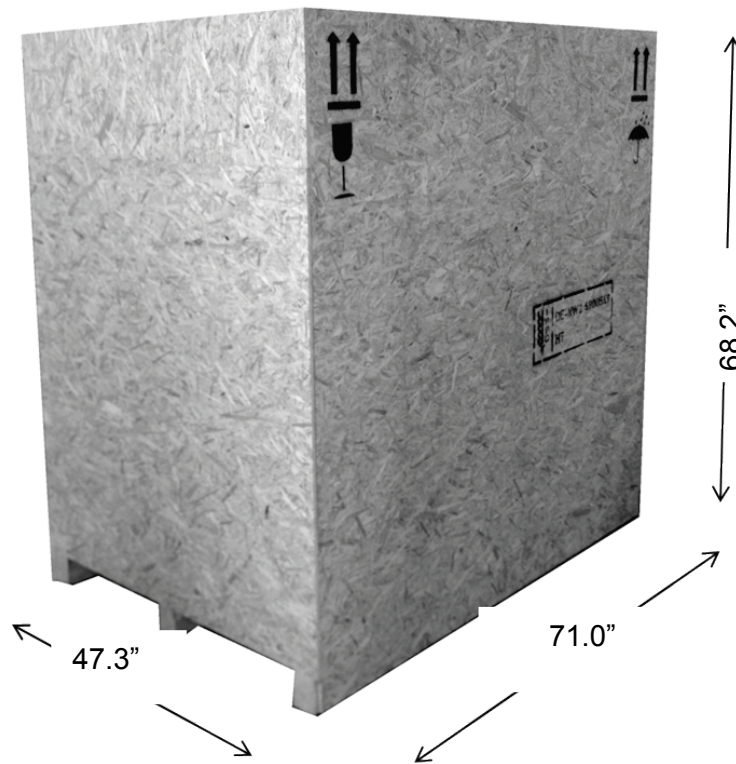
Signature: _____

Room Environment:

Parameter	Value
temperature	18-25°C 64-77°F standard
relative humidity	40 –70 %, non condensing
lighting	Security light if possible to safe waste (yellow safe light)
cleanliness	no dust, no smoke, no dirt
floor vibrations	Free of vibrations

Space Requirements

Crate Dimensions Height: 69" Width: 47.3" Length: 71" Weight: 1610lbs



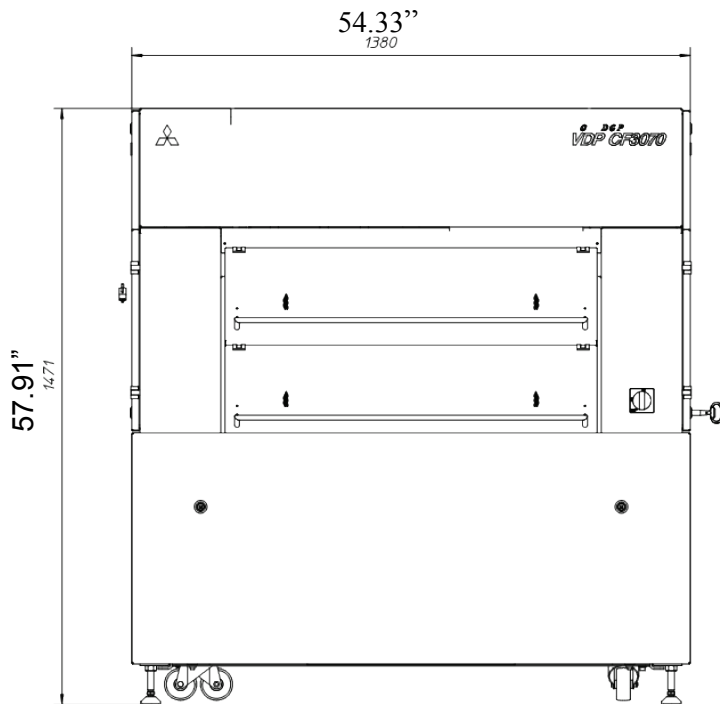
Is inside delivery necessary? YES _____ NO _____

Is a lift gate truck necessary? YES _____ NO _____

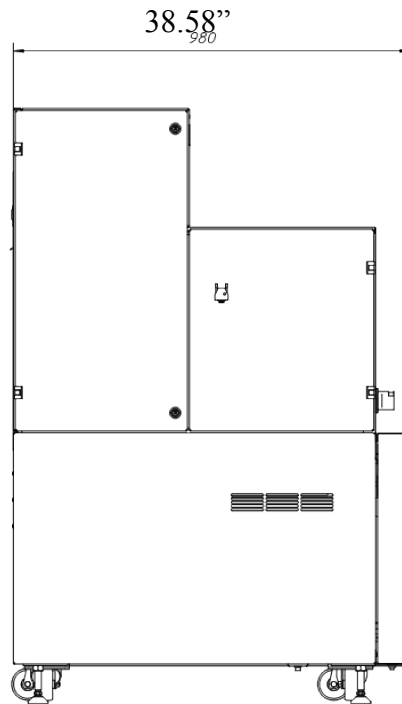
Machine Dimensions and Weight

Dimensions		
depth	width	height
980 mm (38.58")	1380 mm (54.33")	1471 mm (57.91")

Weights		
weight incl. 2 coils / water	weight empty	Max. floor loading / per foot
630 kg (1389 lbs)	550 kg (1213 lbs)	200 kg / < 2 N/mm ²

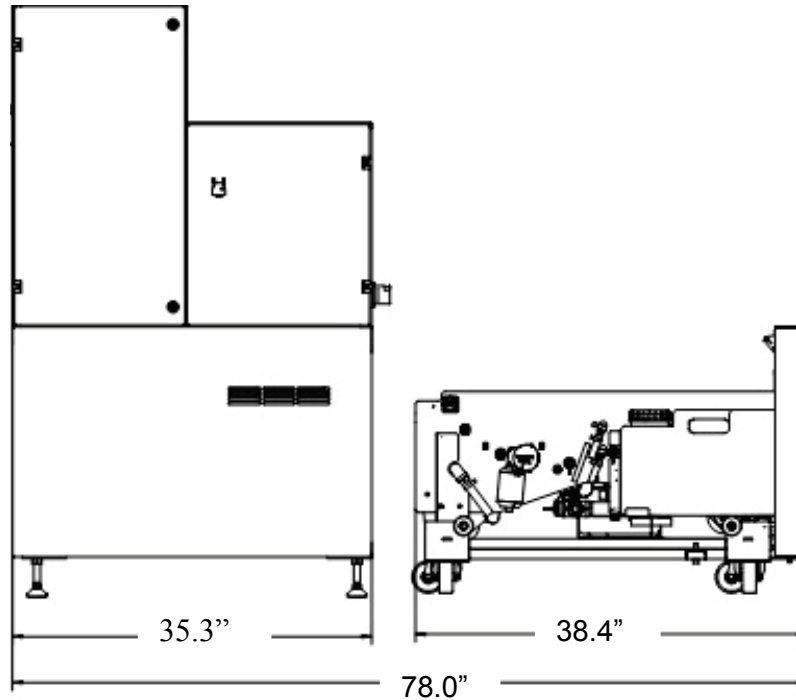


Front



Side

With processor removed for cleaning



Space around machine:

There should be a minimum of 24" behind the machine, 36" on each side of the machine and 40" inches in front for processor maintenance.

Minimum opening of door way is 35.5".

Does the customer currently run SDP or SilverMaster? SDP _____ SLM _____

Has the customer run plate samples prior to installation? YES _____ NO _____

What are the results of test printing? _____

Plate Material

The VDP-CF3070 requires VDP-F 175, SPEC 1520 or VDP-F250 SPEC Plate Material
One roll of each size to be run needs to be on site prior to installation.

Operator Training

Please note: During installation, it is imperative that we have at least one pre-press person, and one press person available for a minimum of two full days of training. If any interruptions cause delays in training, there will be additional charges for training.

Please provide the names of persons in each area to be trained.

Pre-press

Press

Any other additional information that you feel would be helpful for installation, please list below.
