

ELECTRICAL TROUBLE SHOOTING GUIDE

FOR

CP-310

CONTENTS

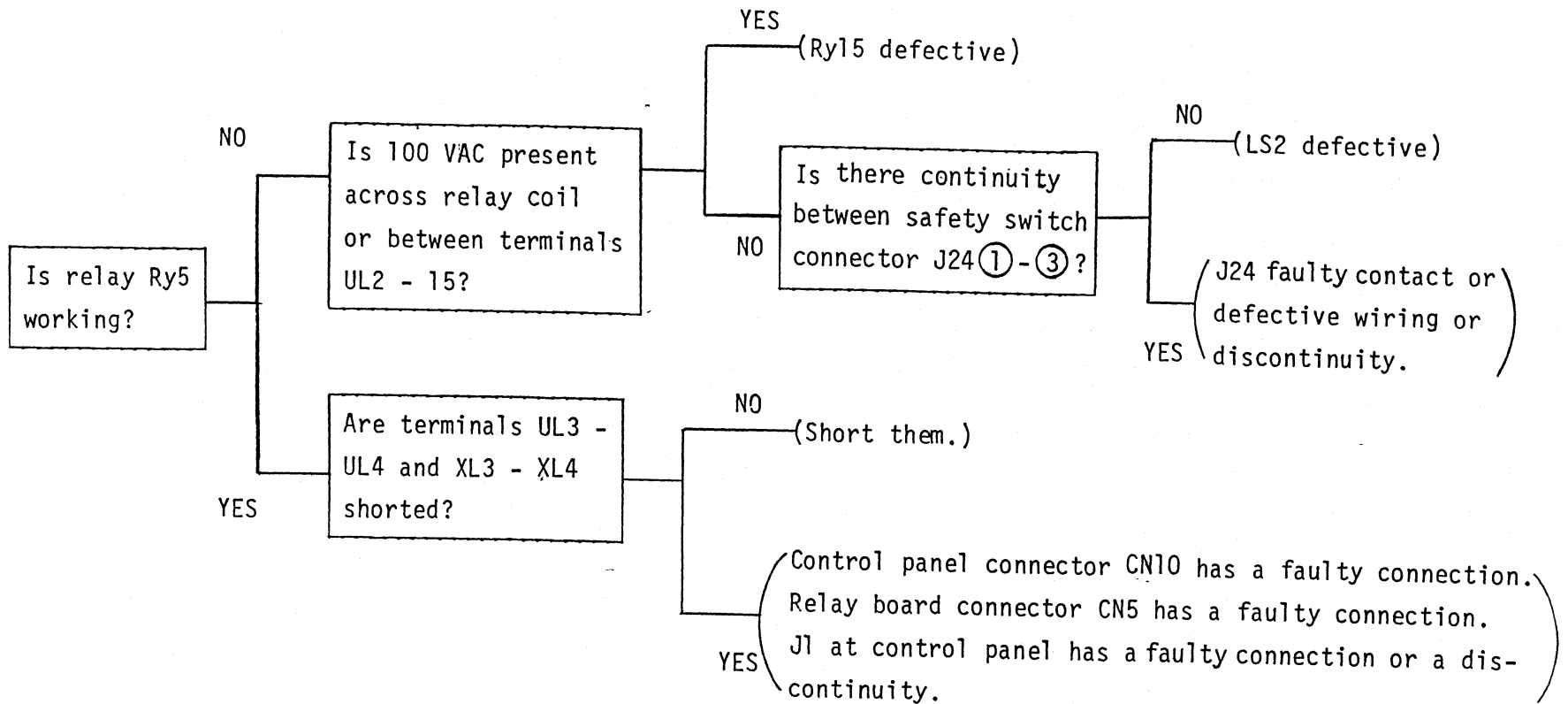
	Page
1. Power pilot lamp won't light.	1
2. Start OK pilot lamp won't light.	2
3. Copy set illumination lamp won't light.	3
4. Machine won't start.	4
5. Exposure won't start.	5
6. Paper feed motor won't run.	6
7. Paper won't be cut.	7
8. Counter won't operate.	8
9. Heater won't work.	8
10. Processor motor won't run.	9
11. Vacuum fan won't work.	9
12. Copyboard vertical shift motor won't work.	10
13. Paper feed motor won't run in Manual mode.	11
14. Cutter won't work in Manual mode.	12
15. Shutter won't operate.	13
16. Buzzer won't sound.	13
17. The exhaustion of paper won't be indicated.	14
18. EXPOSURE pilot lamp won't light.	14
19. LIGHT METER ON/OFF (light meter/timer) switch won't function.	15
20. MULTI/NORMAL switch won't function.	15
21. Light meter won't run with the LIGHT METER switch on.	16
22. Paper feed won't stop.	16
23. Paper won't be fed correctly or regularly.	16
24. HEATER pilot lamp won't light.	17
25. MASTER END pilot lamp won't light.	17
FLOW CHART	18
TIME CHART	19

1. Power pilot lamp won't light.

Be sure that: (1) The power cord is connected to an outlet.

(2) The no-fuse breaker is on.

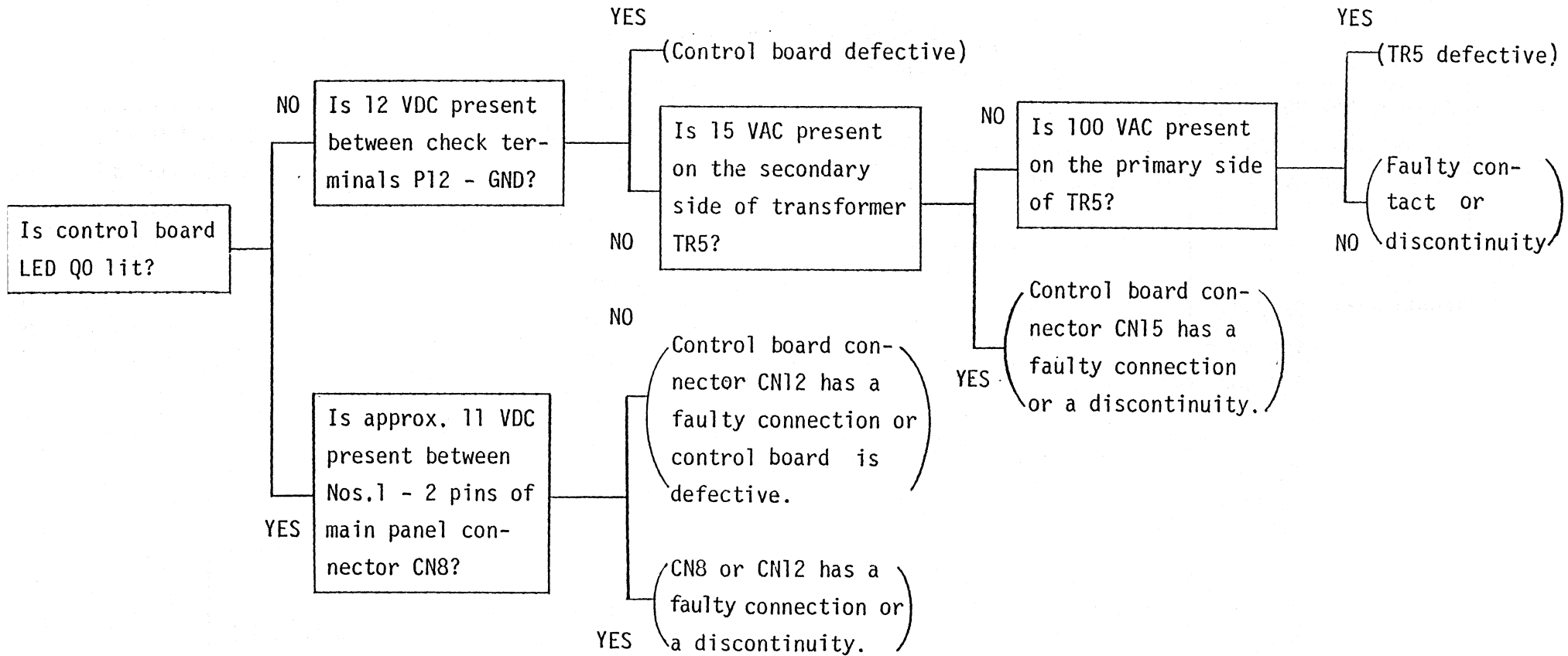
(3) The safety switch is on (the processor top cover is closed).



2. Start OK pilot lamp won't light.

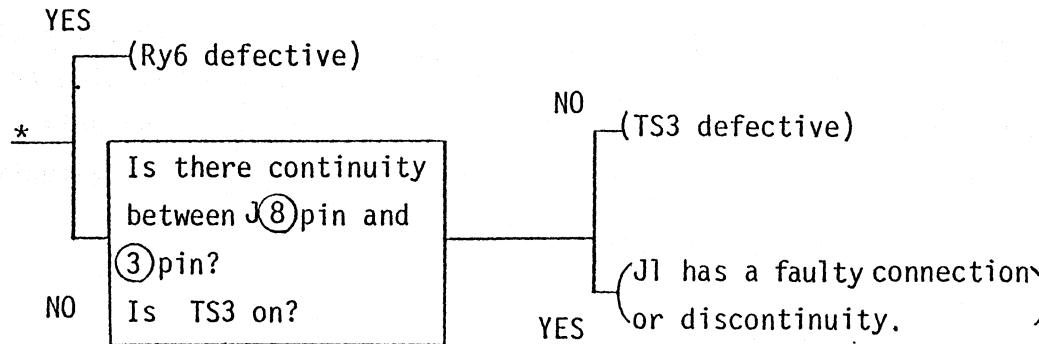
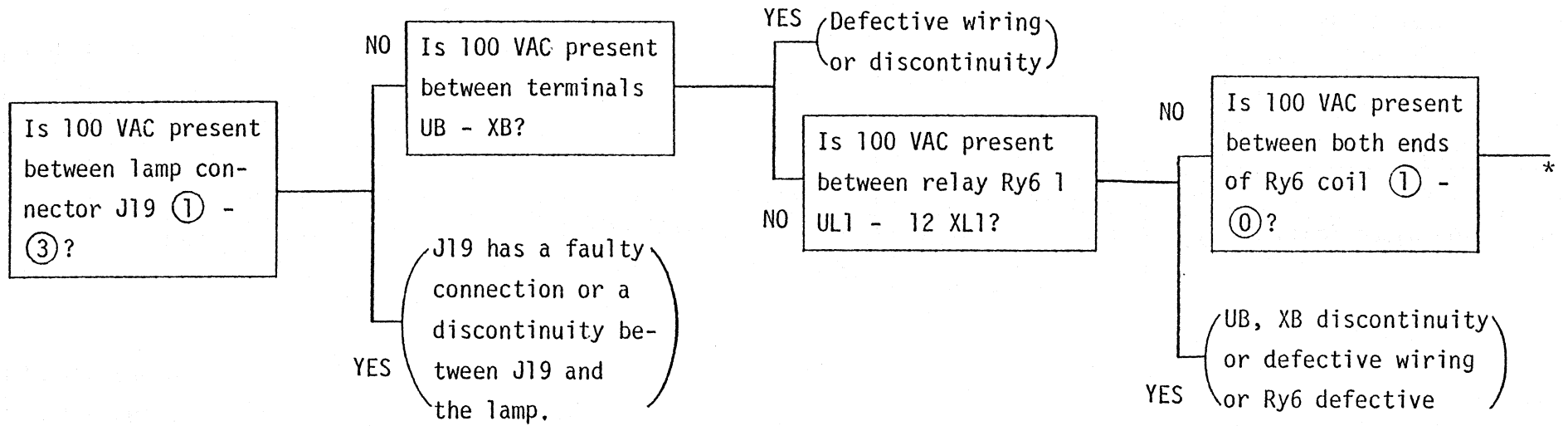
Be sure that: (1) Fuse F5 (3 A), F6 (3 A) or F8 (0.3 A) is not blown.

(2) Paper is loaded.



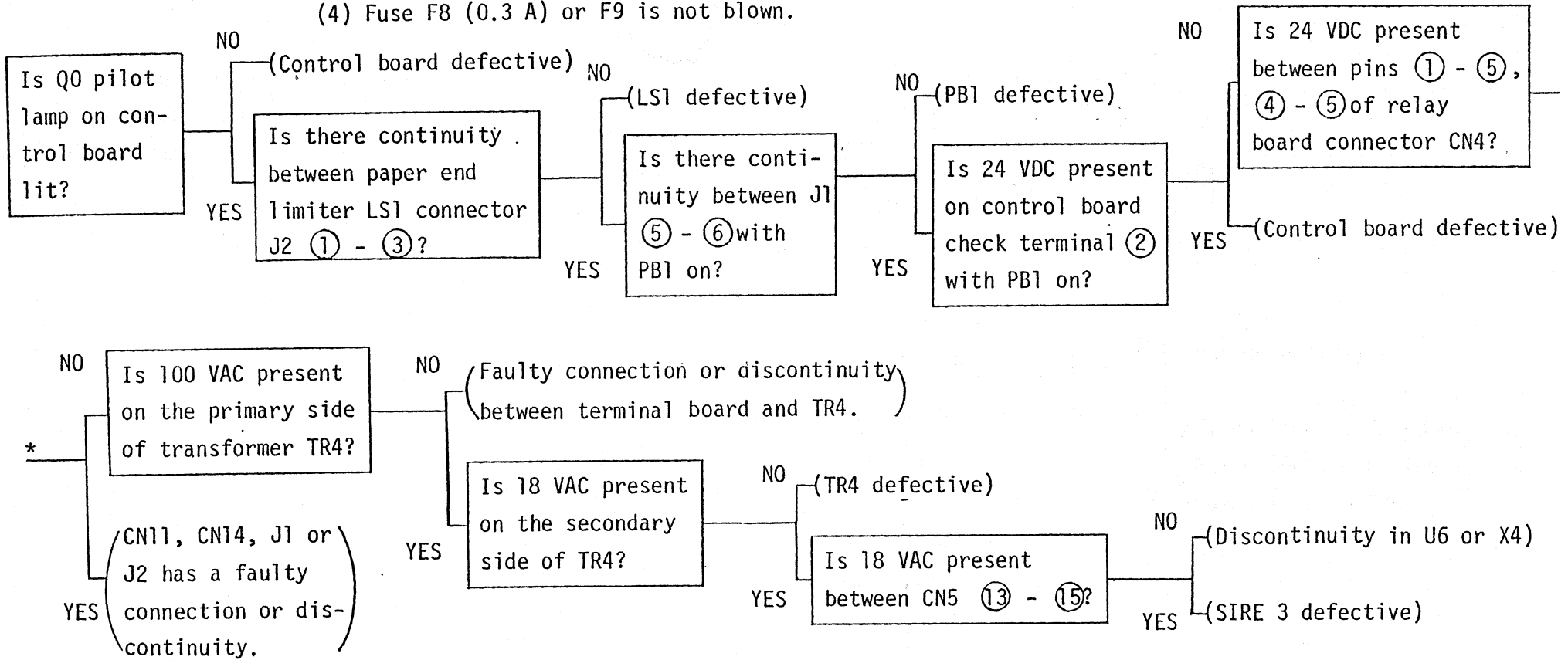
3. Copy set illumination lamp won't light.

Be sure that: (1) The lamp is not burnt out.



4. Machine won't start.

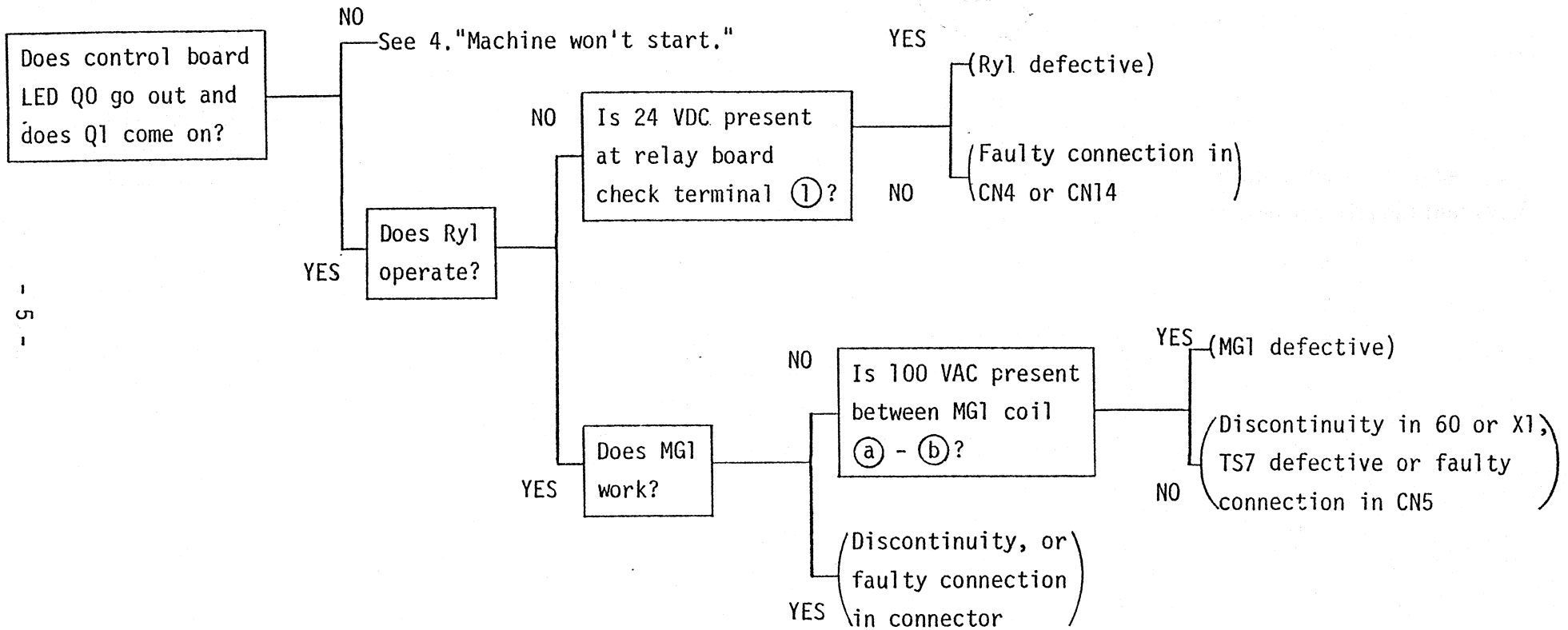
- Be sure that: (1) Start OK pilot lamp is lit. (If not, take the procedure in 2.)
 (2) MASTER LENGTH digital switch is set between 300 - 499 mm.
 (3) Master end pilot lamp is not lit and warning buzzer is not sounding.
 (4) Fuse F8 (0.3 A) or F9 is not blown.



5. Exposure won't start.

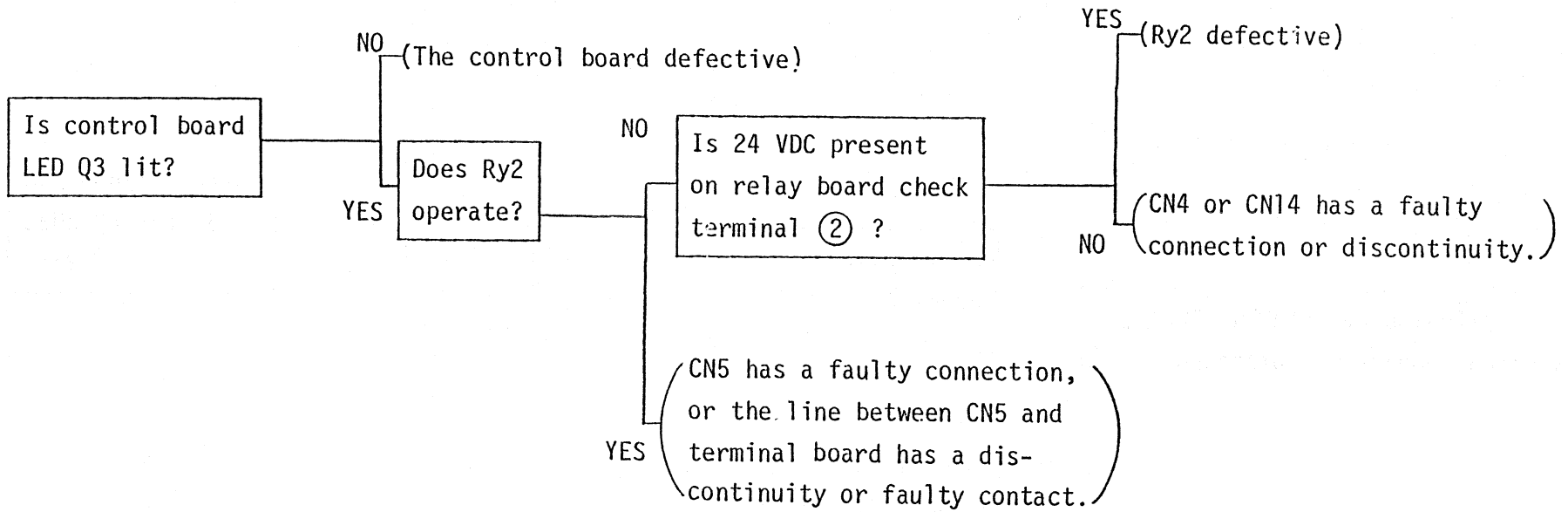
Be sure that: (1) TS7 is on. (When the back-light (option) is not used, ①-③ on the male side of J44 should be shorted.)

(2) The lamp is not burnt out.



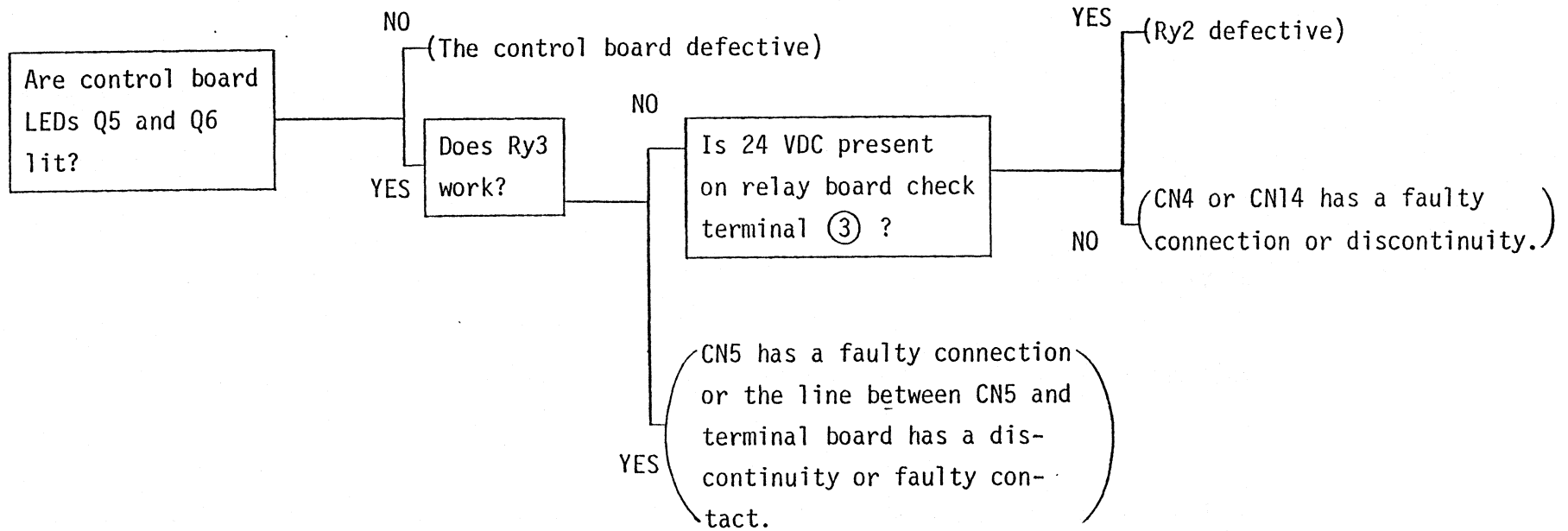
6. Paper feed motor won't run.

Be sure that: (1) The FEED switch (pushbutton 2) works.
(If not, refer to 13.)



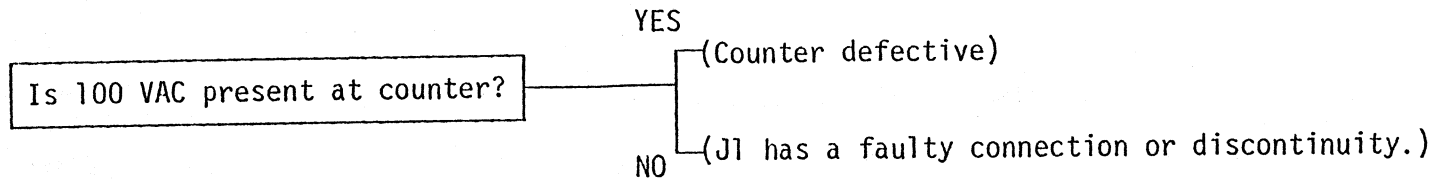
7. Paper won't be cut.

Be sure that: (1) The CUT switch (pushbutton 3) works.
(If not, refer to 14.)



8. Counter won't operate.

Be sure that: (1) The cutter operates. (If not, refer to 7.)



9. Heater won't work.

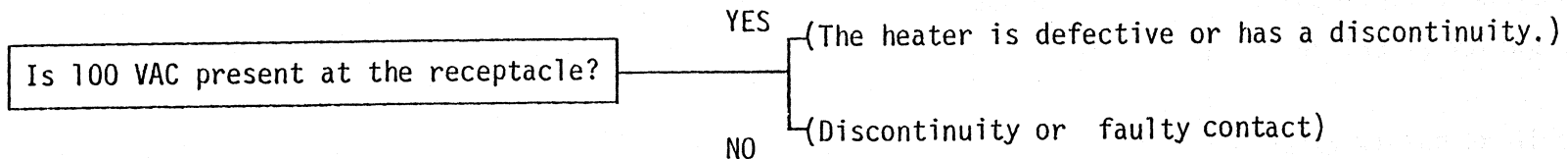
Be sure that: (1) Fuse F1 or F2 is not blown.

(2) The heater plug is not disconnected from the receptacle.

(3) The thermostat is not off.

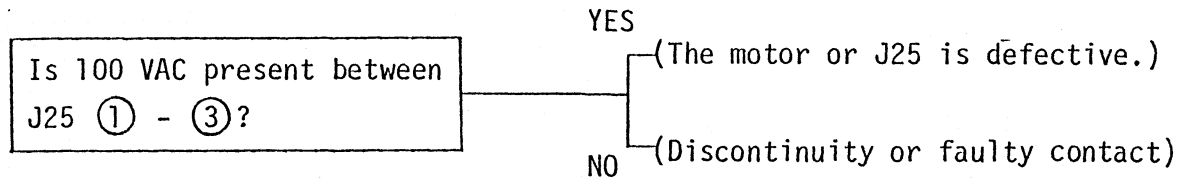
(Is there continuity between J26 ② - ③? — Is there continuity between contacts ① - ② of thermostat?)

NB: The heater incorporates a thermostat which turns it off when the liquid temperature rises to approx. 55°C.)



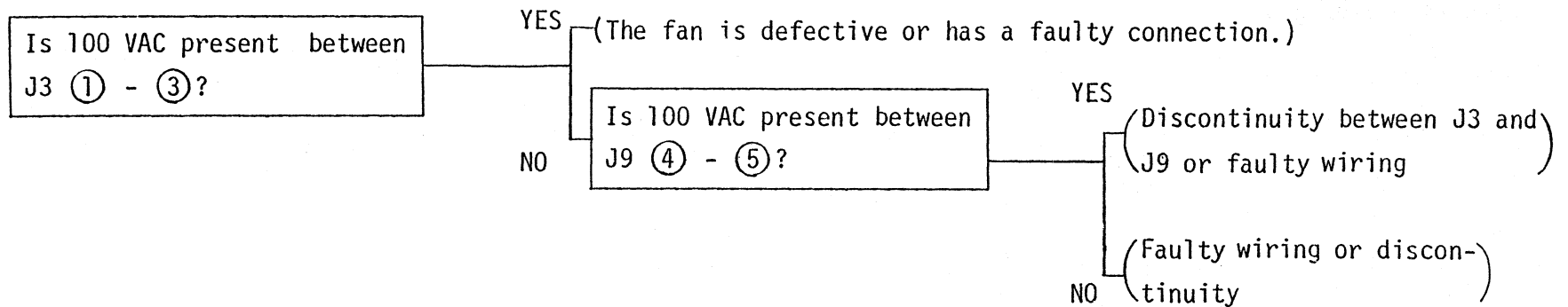
10. Processor motor won't run.

Be sure that: (1) Fuse F3 or F4 is not blown.



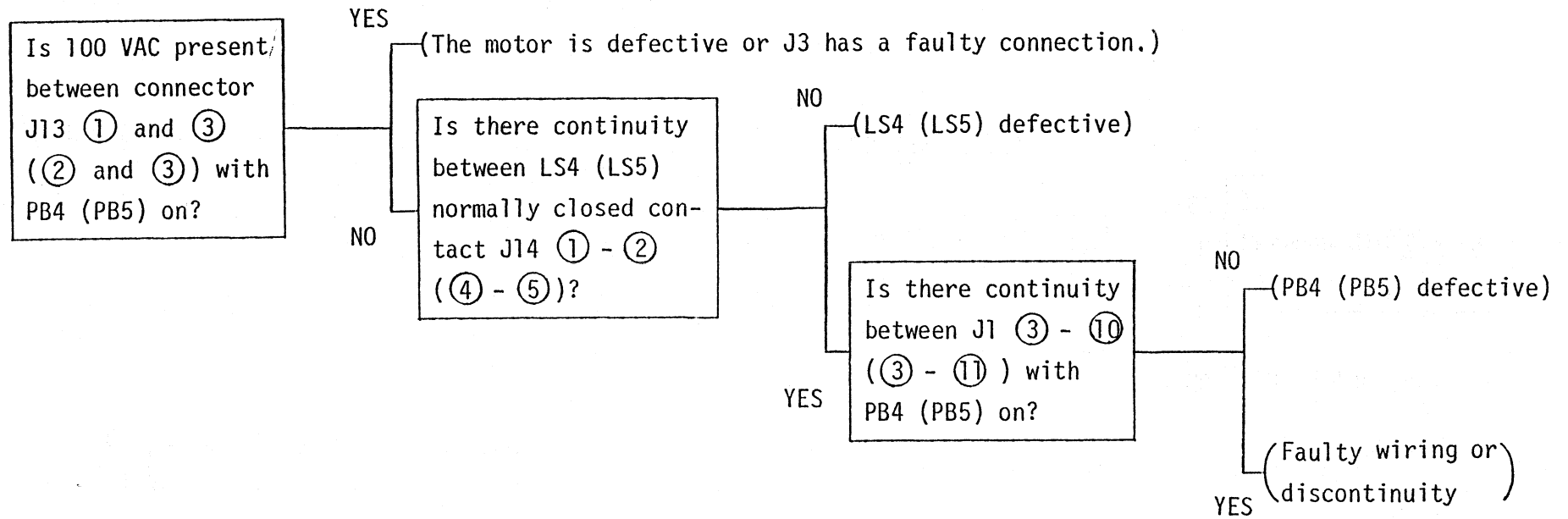
11. Vacuum fan won't work.

Be sure that: (1) Fuse F7 is not blown.

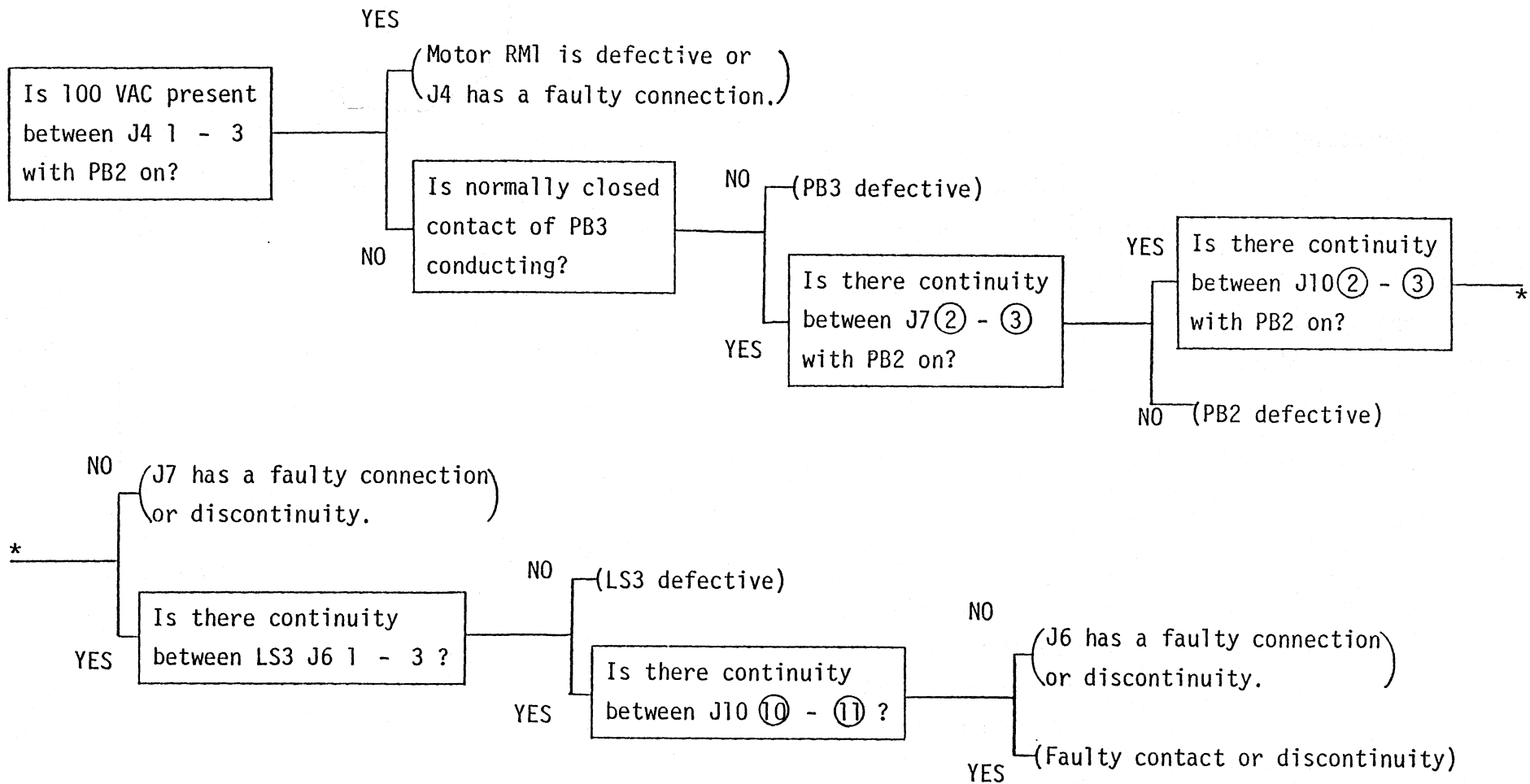


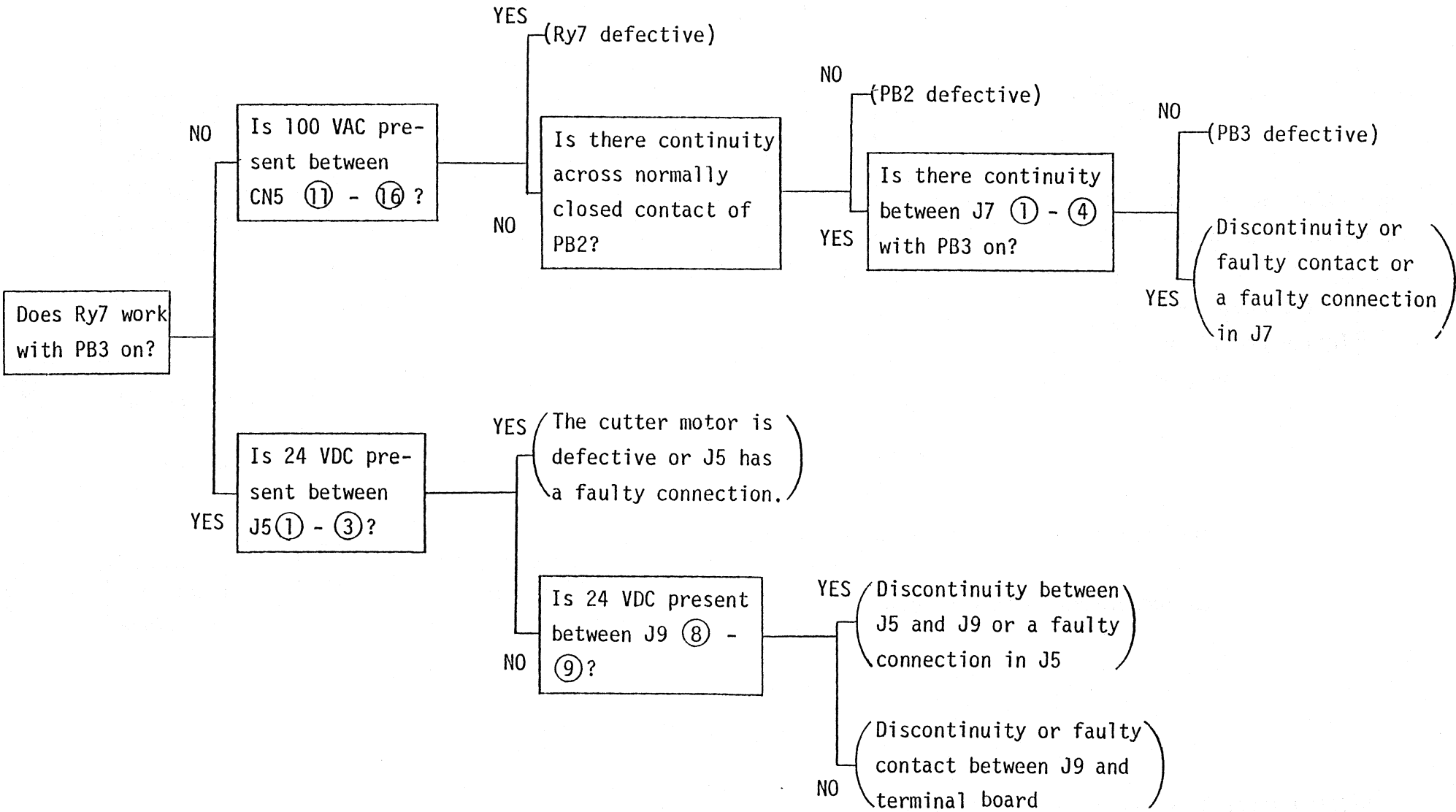
12. Copyboard vertical shift motor won't work.

Be sure that: (1) Fuse F5 or F6 is not blown.

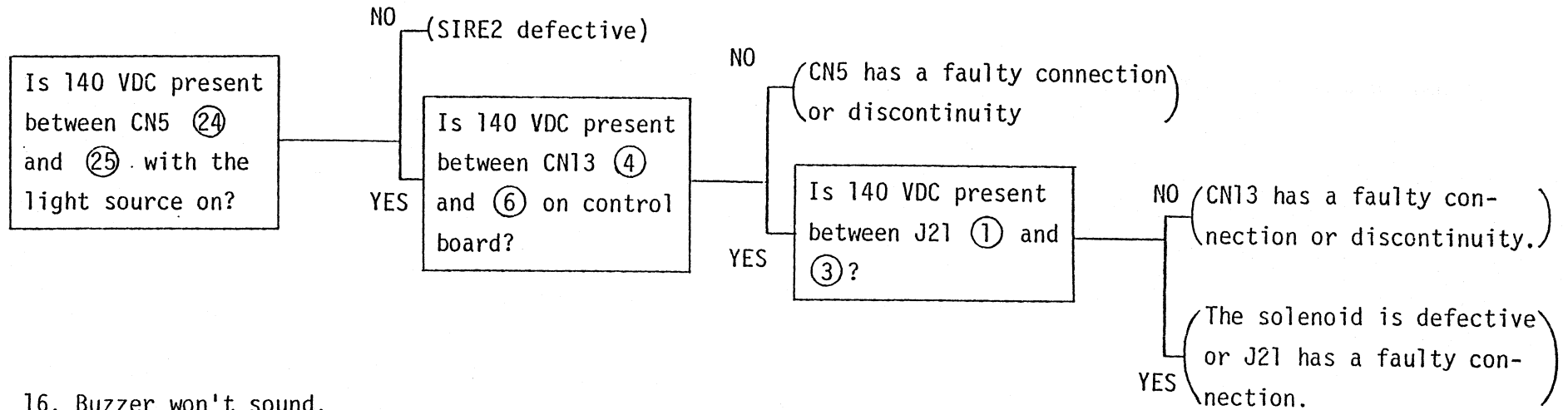


13. Paper feed motor won't run in Manual mode.



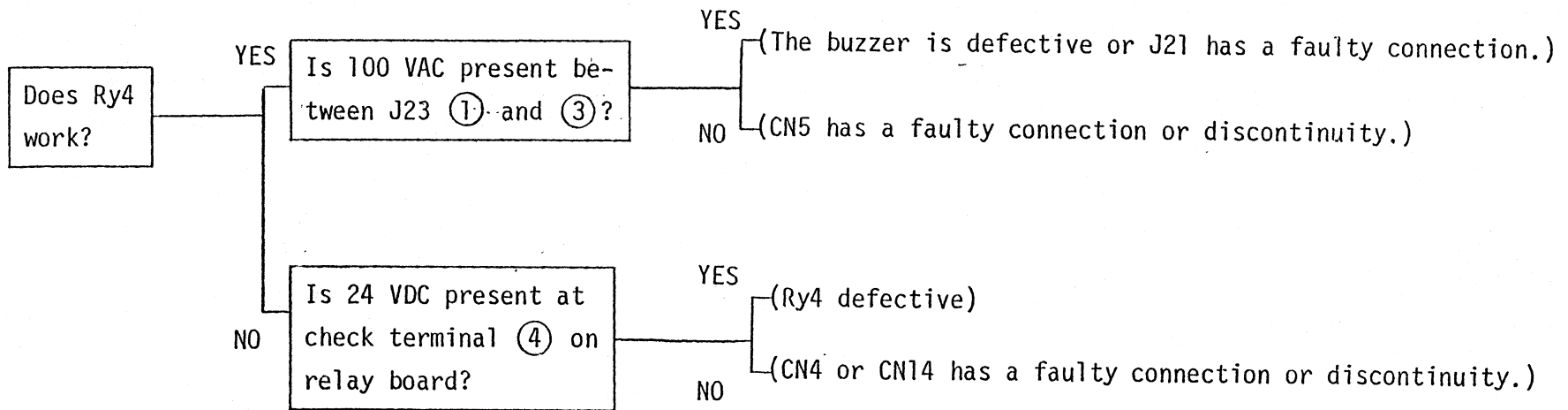


Be sure that: (1) The light source is lit.

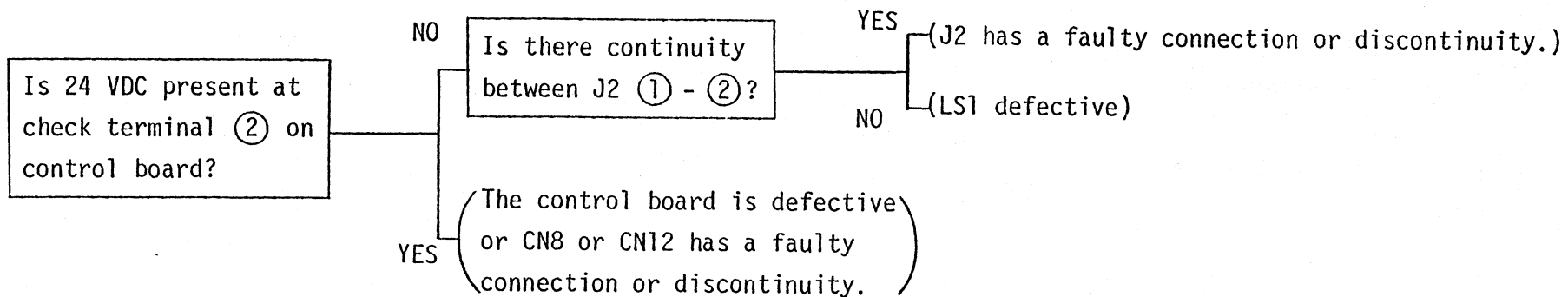


16. Buzzer won't sound.

Be sure that: (1) The master end pilot lamp is lit.



17. The exhaustion of paper won't be indicated.

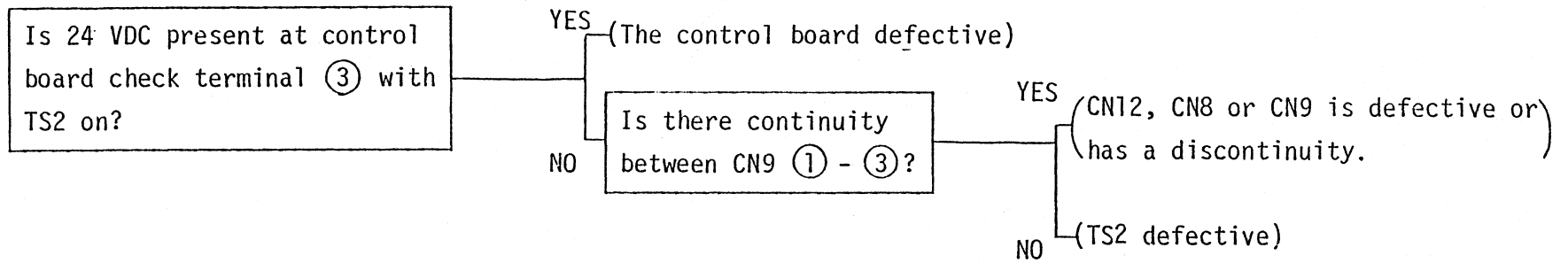


18. EXPOSURE pilot lamp won't light.

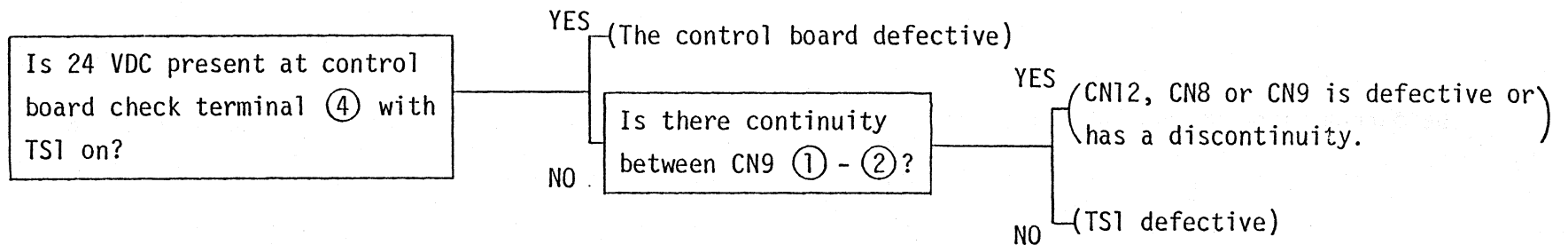
Be sure that: (1) CLK pilot lamp on control board is lit with the L. METER/ON/OFF switch off.
(If not, the control board is defective.)

(The control board is defective or CN8 or CN12 has a faulty connection or discontinuity.)

19. LIGHT METER ON/OFF (light meter/timer) switch won't function.



20. MULTI/NORMAL switch won't function.



21. Light meter won't run with the LIGHT METER switch on.

(The light meter board is defective
or CN1 or CN2 has a faulty connection.)

22. Paper feed won't stop.

(CN16, CN2 or J8 has a faulty connection
or photosensor is defective
or control board is defective or has a discontinuity.)

23. Paper won't be fed correctly or regularly.

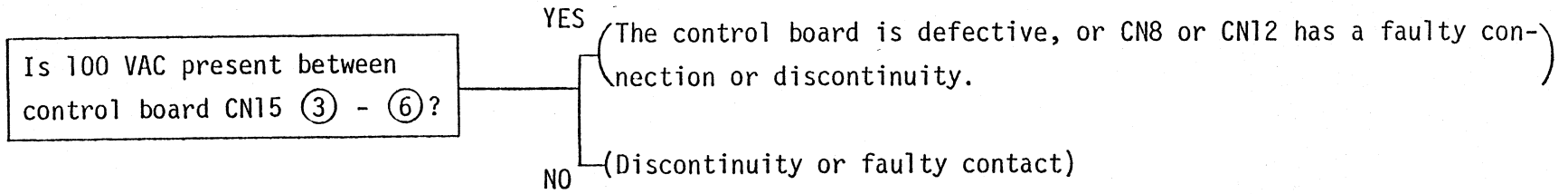
Be sure that: (1) Control board connector CN11 and digital-switch board CN7 are properly connected.

(2) Paper feed sensor is not exposed to external light.

(3) Paper feed detecting disc and sensor are in place.

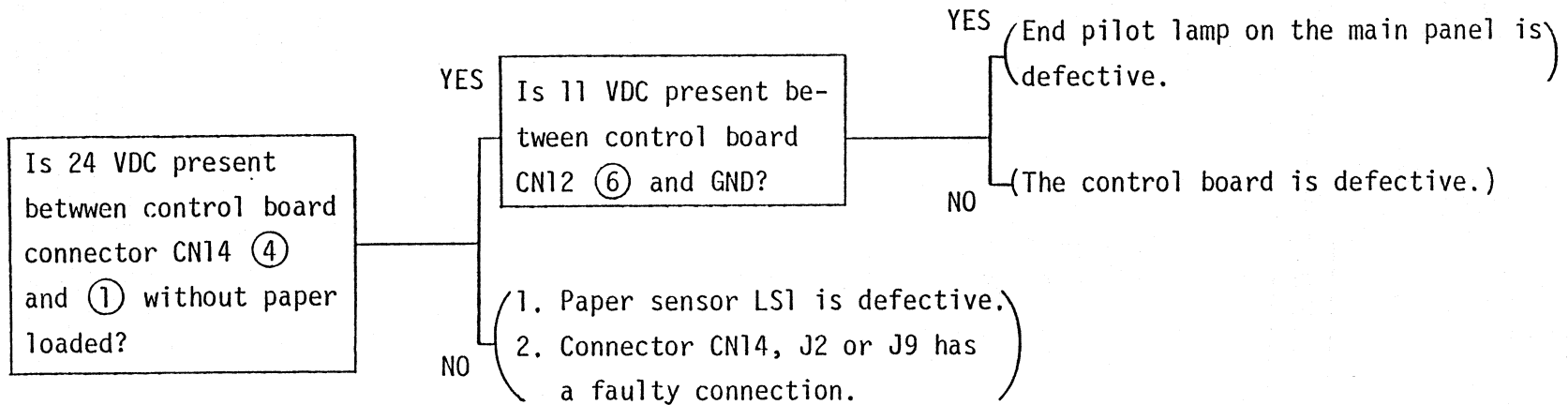
(4) Paper feed detecting disc turns without rambling.

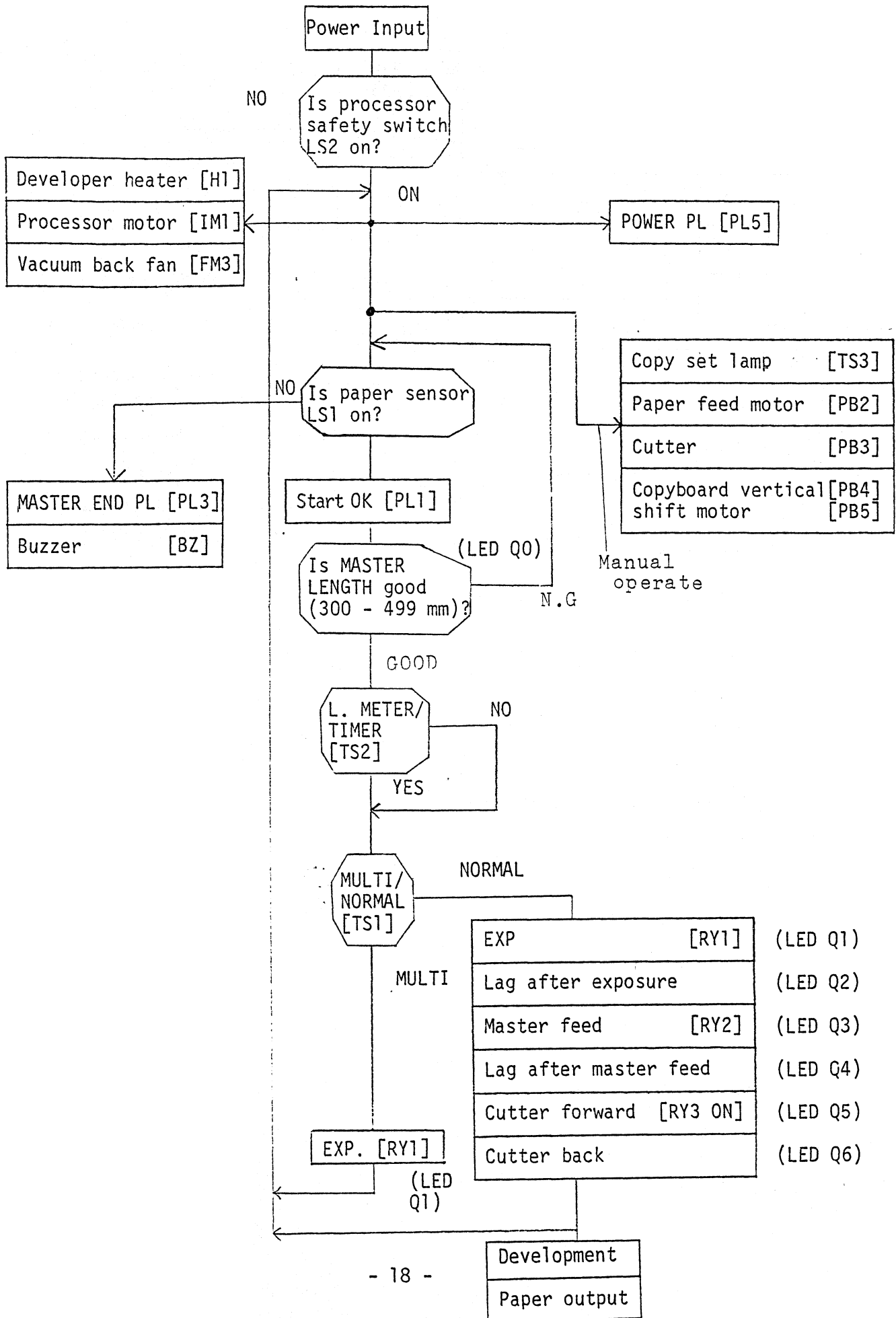
Be sure that: (1) Heater runs.



- 17 -

25. MASTER END pilot lamp won't light.





CHART

